

CABLE 394 RF: I-PEX MHF + SMA RIGHT ANGLE BULKHEAD JACK WITH O-RING RATED TO IP67/68 + MULTIPLE CABLE SIZES, 6GHz

SPECIFICATIONS :

1. I-PEX MHF PLUG, P/N: FOR RG178 CABLE: 20278-112R-18, FOR ϕ 1.13MM CABLE: 20278-112R-13, FOR ϕ 1.37MM CABLE: 20351-112R-37, FOR ϕ 1.32MM CABLE: 20278-112R-32.
2. COAXIAL CABLE, SEE P/N OPTIONS FOR DETAIL.
3. SMA RIGHT ANGLE BULKHEAD JACK WITH O-RING RATED TO IP67/68, GOLD PLATED, P/N:
 FOR RG178 CABLE: RFCT-SMA073-F78.
 FOR ϕ 1.13MM CABLE: RFCT-SMA079-F13.
 FOR ϕ 1.37MM CABLE: RFCT-SMA080-F37.
 FOR ϕ 1.32MM CABLE: RFCT-SMA120-F32.

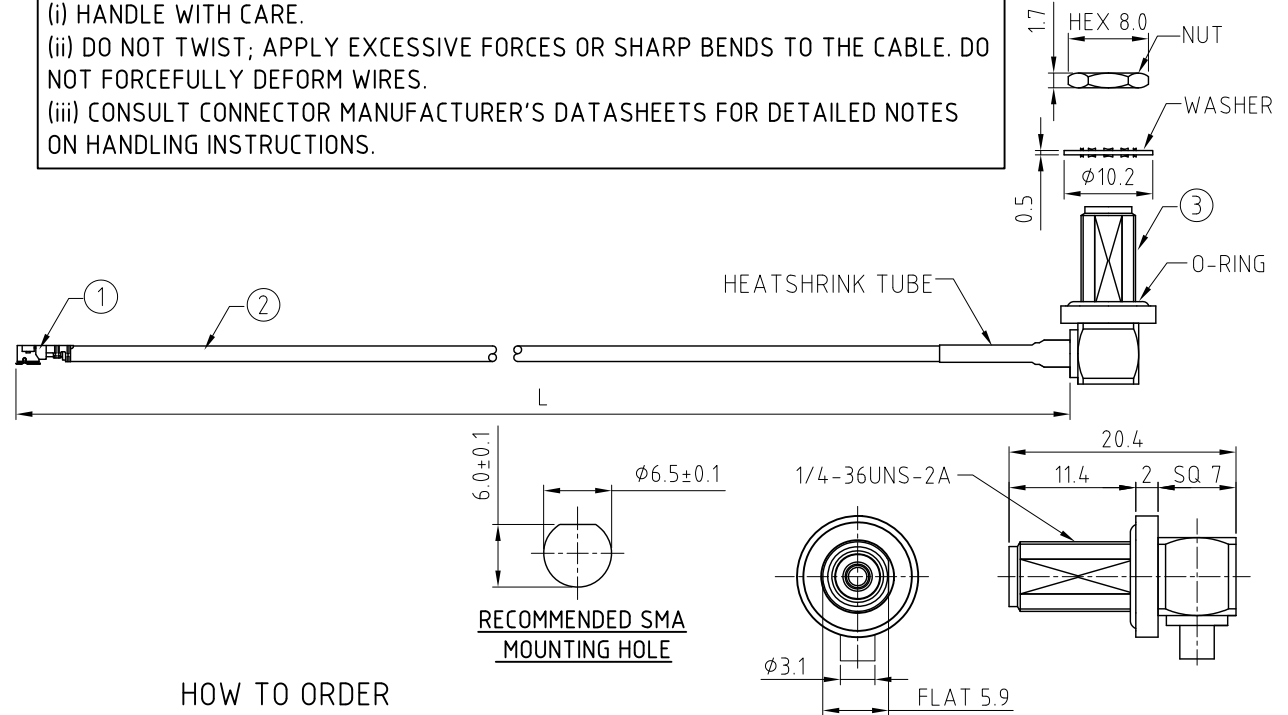
ENVIRONMENTAL:

- A. BULKHEAD MOUNTED CONNECTOR (RFCT-SMA073-F78/RFCT-SMA079-F13/RFCT-SMA080-F37/ RFCT-SMA120-F32) RATED TO THE FOLLOWING SPECIFICATION:
 - i. IP6X - DUST TIGHT - NO PARTICLE INGRESS.
 - ii. IPX7 WATERPROOF FOR 30 MINUTES UP TO 1 METER UNDERWATER.
 - iii. IPX8 WATERPROOF FOR 48 HOURS AT 1 METER UNDERWATER.

NOTES:

1. THE ORIENTATION OF CONNECTORS ON DRAWING IS FOR REFERENCE ONLY, IF THE ORDER IS LEFT BLANK THE CONNECTOR WILL NOT HAVE FIXED ORIENTATION.
2. FIXED ORIENTATION IS SUGGESTED FOR CABLE LENGTH 50MM TO 100MM. PLEASE SPECIFY THE FIXED ORIENTATIONS FROM THE ORDER CODE (F1, F2, ETC)
3. CONTACT GRADCONN IF THE ORIENTATION YOU REQUIRE IS NOT SHOWN.
4. WORKING FREQUENCY RANGE: DC-6GHz.
5. OPERATING TEMPERATURE: -40°C TO +85°C
6. IMPEDANCE: 50 OHM.

USAGE PRECAUTIONS: CABLES USING 'MICRO' COAX ARE DELICATE:
 (i) HANDLE WITH CARE.
 (ii) DO NOT TWIST; APPLY EXCESSIVE FORCES OR SHARP BENDS TO THE CABLE. DO NOT FORCEFULLY DEFORM WIRES.
 (iii) CONSULT CONNECTOR MANUFACTURER'S DATASHEETS FOR DETAILED NOTES ON HANDLING INSTRUCTIONS.



HOW TO ORDER
 CABLE 394 RF - X X X - X X - X - X

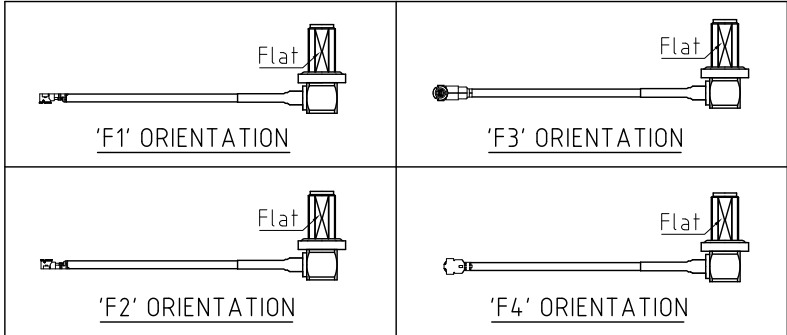
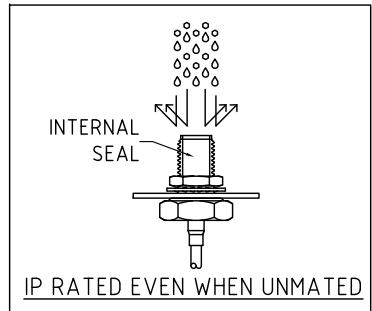
"L" LENGTH IN MM:
 eg: 100MM = 100
 (MIN. 050-MAX.400)
 STANDARD = 100, 150, 200)
 Tolerance: 50-200mm: ±5mm.
 201-400mm: ±7mm.

CABLE SIZE OPTIONS:
 1 = RG178 CABLE, COLOR: BROWN
 2 = ϕ 1.13MM CABLE, COLOR: GRAY
 3 = ϕ 1.37MM CABLE, COLOR: BLACK
 4 = ϕ 1.32MM DUAL SHIELD CABLE, COLOR: GRAY

WASHER AND NUT OPTIONS:
 BLANK = SEPARATELY PACKED (STANDARD)
 A = ASSEMBLED WITH CONNECTOR

ORIENTATION OPTIONS:
 BLANK = DOES NOT HAVE A FIXED ORIENTATION
 F1 = OPPOSITE ORIENTATION (L=50-200MM)
 F2 = SAME ORIENTATION (L=50-200MM)
 F3 = LEFT CONNECTION SAME AS D-FLAT (L=50-200MM)
 F4 = LEFT CONNECTION OPPOSITE TO D-FLAT (L=50-200MM)
 (SEE NOTES 1, 2, 3 AND DIAGRAMS FOR MORE INFORMATION)

SMA DETAIL DRAWING



REV. DATE & DRN	10. 27/04/20 - NYW RELEASE
	11. 04/05/20 - NYW 2.
	12. 26/05/20 - NYW 2.
	13. 24/07/20 - NYW 3.
	14. 20/03/22 - NYW 4.
	15. 30/09/24 - CC - ADD IP RATING VIEW

Scale: NTS	THIRD ANGLE	Unstated Tolerances:
Drawn: CC		.X N/A .XX N/A .XXX N/A ANGLES N/A
App'd: XXX	Title CABLE ASSEMBLY	
Date: 31 MAR. '24	Revision: 1.5	Unit: mm



IP Rated RF Products www.gradconn.com

THIS DRAWING IS CONFIDENTIAL AND MUST NOT BE COPIED OR DISCLOSED WITHOUT WRITTEN CONSENT

Type: Cable 394 RF
CABLE 394 RF
Drawing Number:
Sheet 1 of 1
Drawing © E and O E